



High Current Power Inductors - SDC4D14HP SERIES

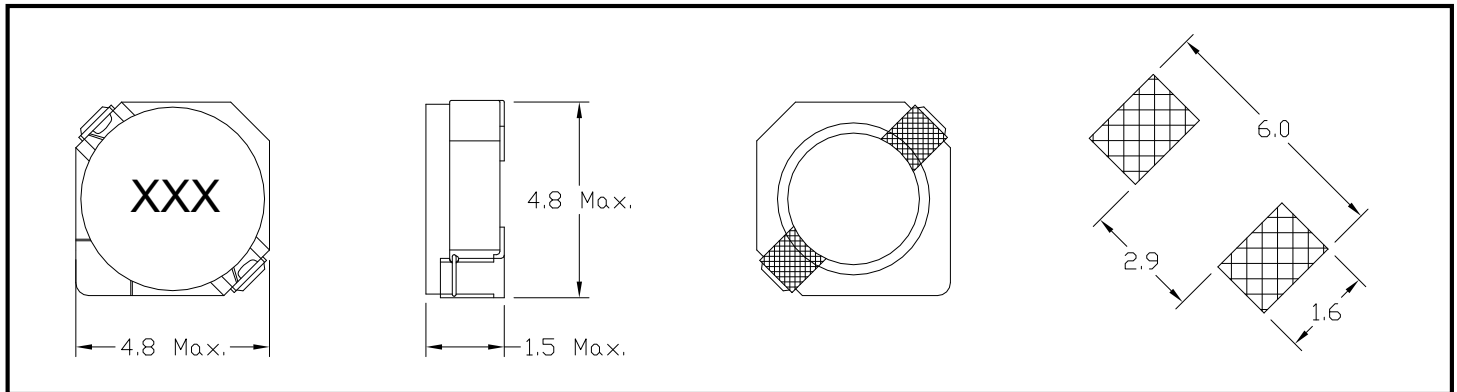


PART NUMBERING SYSTEM

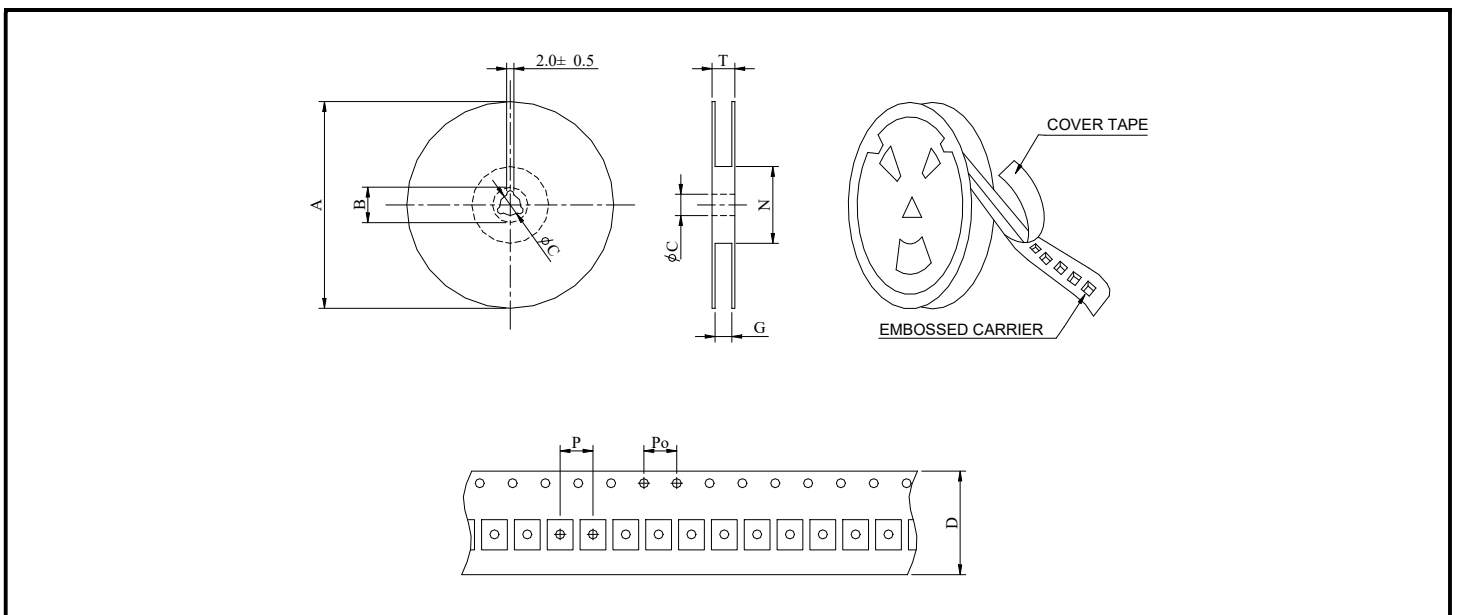
SDC	4D14HP	—	220N	—	LF
TYPE	DIMENSIONS		INDUCTANCE		LEAD FREE

SHAPES AND DIMENSIONS

UNIT : mm



PACKAGING SPECIFICATION



SERIES	STAYLE	Q'TY (PCS)	DIMENSIONS (m/m)								
			A	B±0.8	C±0.5	D	G ⁺⁰	N ⁰	P	Po	T
SDC4D14HP	13-16	2000	330	21	13	16	18	50	8	4	22.4

High Current Power Inductors - SDC4D14HP SERIES



SPECIFICATION TABLE

PART NUMBER	INDUCTANCE (μ H)	DCR (m Ω) (Max.)	Isat (A) (Max.)	Irms (A) (Max.)	TEST FREQ. (Freq.)
SDC4D14HP-1R8N-LF	1.8 \pm 30%	50	2.25	2.30	100KHz
SDC4D14HP-2R4N-LF	2.4 \pm 30%	70	2.00	1.80	100KHz
SDC4D14HP-3R0N-LF	3.0 \pm 30%	91	1.80	1.60	100KHz
SDC4D14HP-4R7N-LF	4.7 \pm 30%	140	1.40	1.10	100KHz
SDC4D14HP-6R8N-LF	6.8 \pm 30%	190	1.15	0.92	100KHz
SDC4D14HP-100N-LF	10 \pm 30%	280	0.95	0.75	100KHz
SDC4D14HP-150N-LF	15 \pm 30%	410	0.75	0.62	100KHz
SDC4D14HP-220N-LF	22 \pm 30%	620	0.62	0.52	100KHz
SDC4D14HP-330N-LF	33 \pm 30%	930	0.51	0.39	100KHz

- Isat : DC current at which the inductance drops 35% (typ) from its value without current.
- Irms: The actual current when temperature of coil becomes $\Delta 40^{\circ}\text{C}$. ($T_a = +25^{\circ}\text{C}$)
- Operating temperature range -40°C to $+125^{\circ}\text{C}$, Electrical specifications at 25°C .